
FORME250

MODULAR AND IP RATED SWITCHBOARD SYSTEM



INTRODUCTION TO FORME250



FORME250

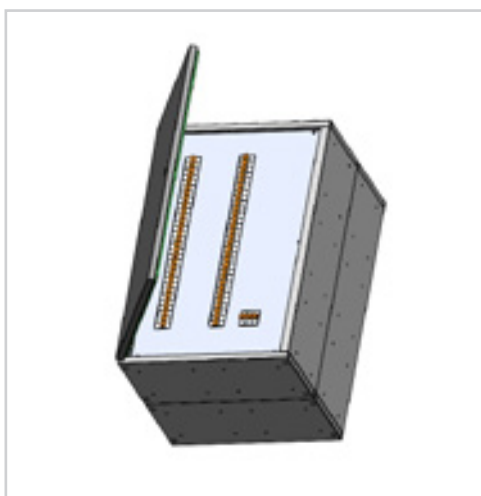
PDC's product engineers have spent 3 years developing a new switchboard system designed to support the New Zealand market.

It offers exceptional aesthetics, is simple and flexible to assemble and meets all the necessary technical requirements.

The system contains 225 components that are capable of configuring at least 2000 different combinations.

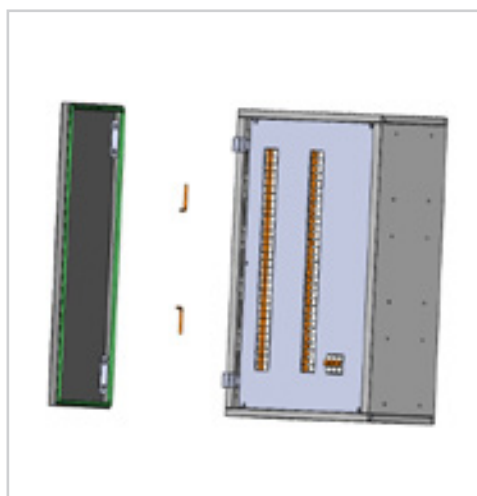
FEATURES

NESTED CABINET



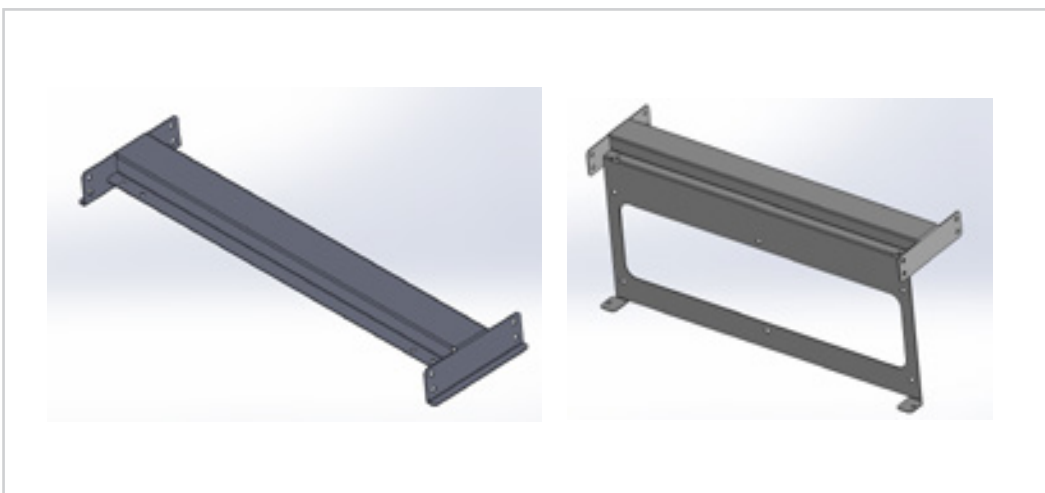
Cabinet can be nested on top of each other.

REMOVABLE DOOR



Doors can be removed.

MULLION AND SEGREGATION PLATE



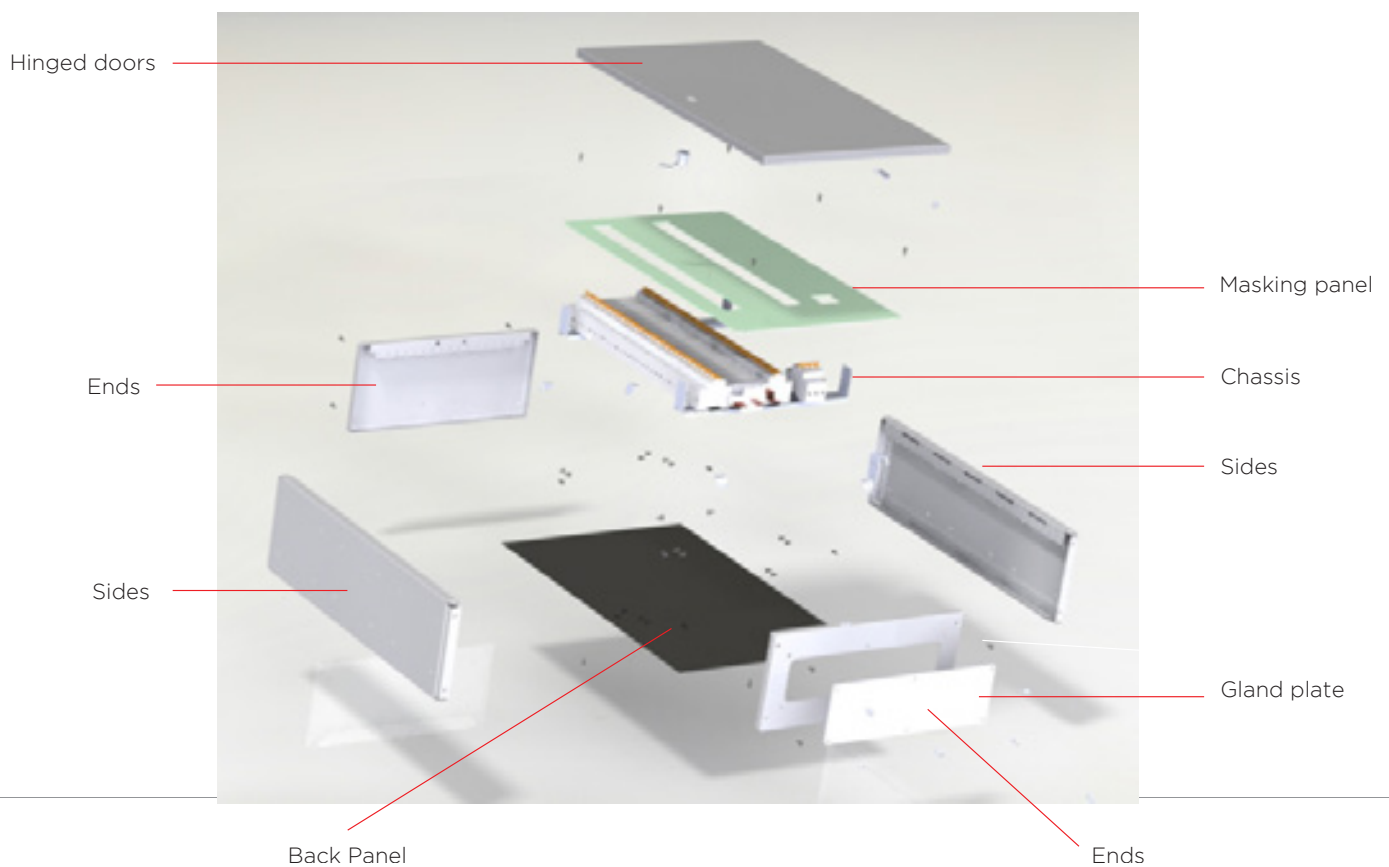
Mullions and segregation plates are used to divide cabinets for most cost effective results.

FEATURES

- > **FORME250 IS MADE IN NZ**
- > **NEW COLOUR AND FINISH: SATIN TITANIA**
- > **COLOUR OPTION TO ORDER**
- > **IP RATED: IP54**
- > **FLEXIBILITY OF DEPTHS**
- > **PIGGY BACK COMBINATIONS**
- > **REDUCED WEIGHT**
- > **IMPROVED STRENGTH**
- > **DOOR OPENING 130°**

FORME250 AVAILABLE IN KITSET

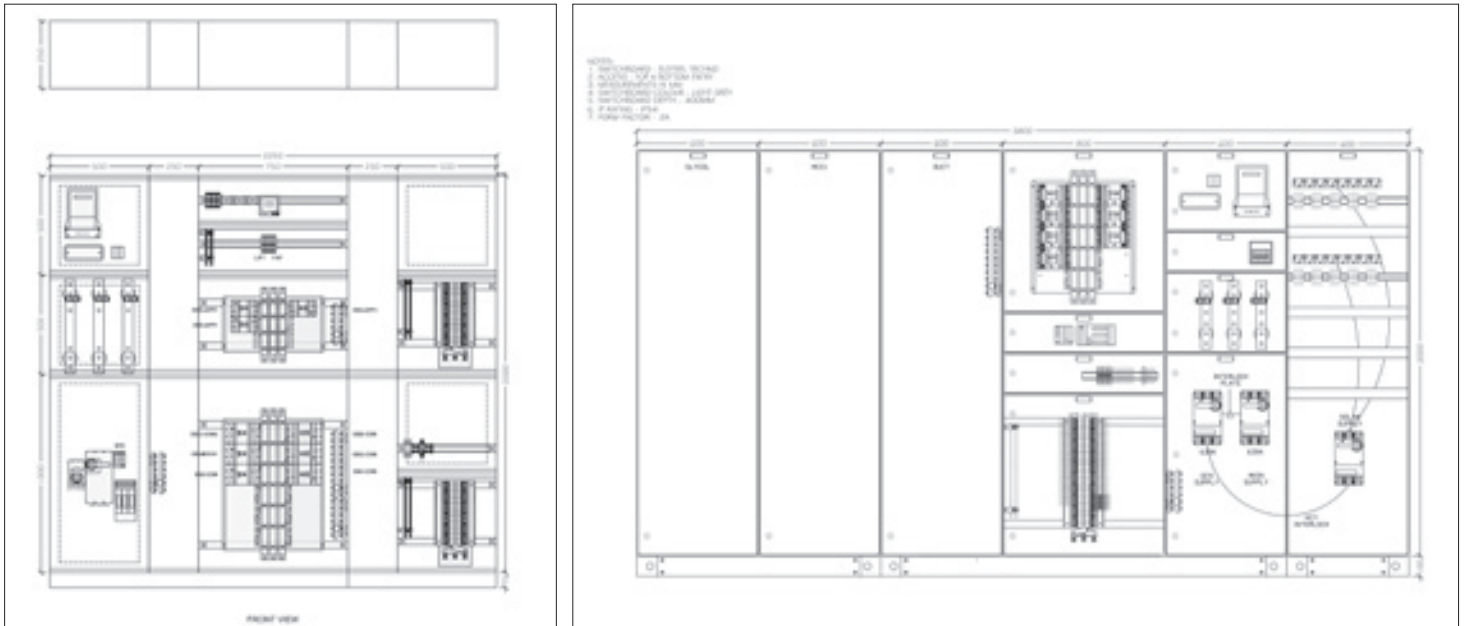
Whilst PDC offer a full turnkey solution some of our customers prefer to assemble switchboards themselves. Therefore we have made FORME250 available in kitset form.



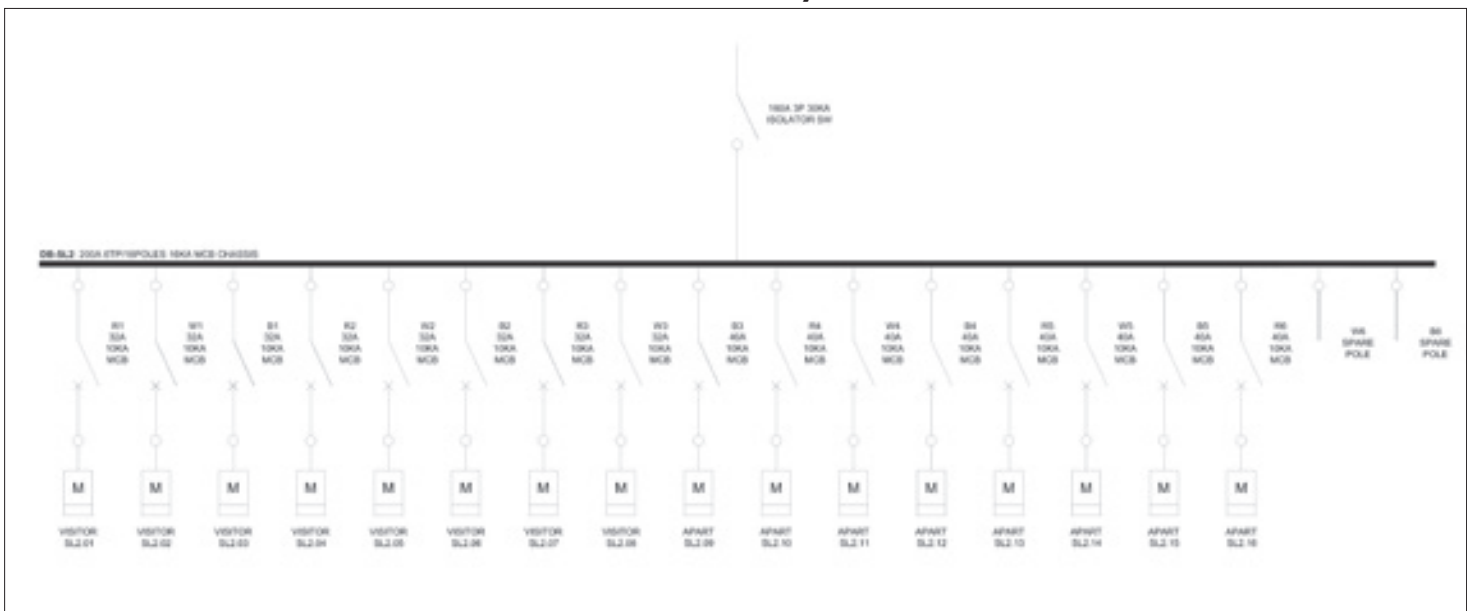
COMING SOON
Contact us for details

SERVICES

BUILD LAYOUT / QUOTING

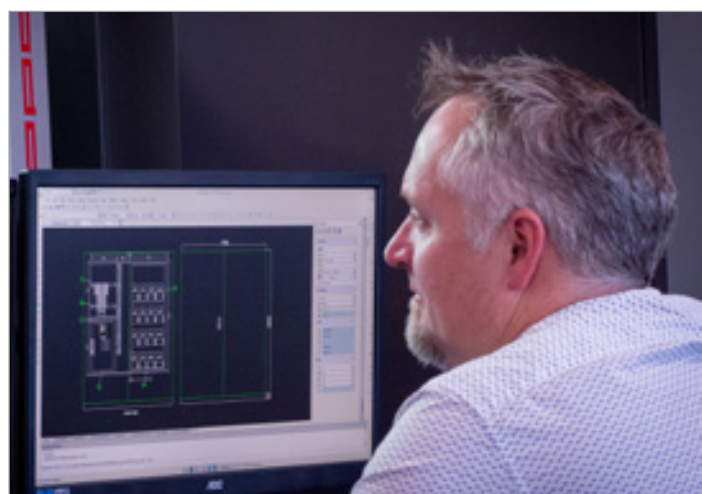
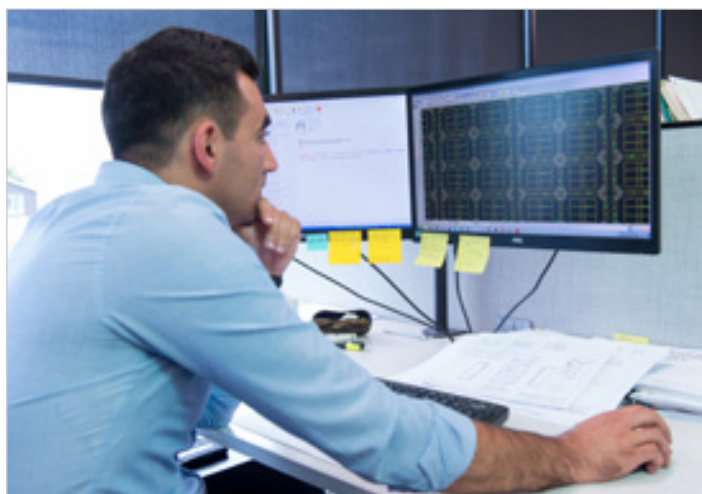


SCHEMATIC DIAGRAMS / LINE DRAWINGS



SERVICES

A team of more than ten technical sales engineers across the country provide exceptional service to all regions.



SERVICES

SWITCHBOARD BUILDING



FORM INNOVATIONS

FORM INNOVATIONS is a technology division of PDC equipped with latest machines for manufacturing of sheetmetal products.

Machines Available: Laser turret punch press, compact express turret punch press, pressbrake, power presses and CNC machining centres.





ELECTRICAL ENGINEERED SOLUTIONS

Christchurch Office

PO Box 9022
388 - 396 Tuam St, Phillipstown,
Christchurch 8011
New Zealand
P +64 3 335 0366
F +64 3 335 0980
E sales@pdc.co.nz

Northern Region/Auckland

PO Box 12 249
9 Levene Place, Mount Wellington
Auckland 1060
New Zealand
P (+64) 9 526 7881
F (+64) 9 525 5799
E sales@pdc.co.nz